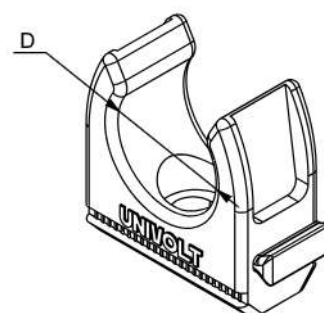


Data sheet

ID	CL GR
Description	clip, interlinkable
Properties	for fixation of rigid or pliable conduits on various surfaces, mounting possible with nails, screws or DSD plugs
Colour	grey, similar to RAL 7037



Art. no.	Suitable for pipe diameter	Small Package	Large Package
082 210	16 mm	100 pc	3200 pc
082 177	20 mm	100 pc	2400 pc
082 214	25 mm	100 pc	1600 pc
082 218	32 mm	100 pc	1600 pc
082 222	40 mm	50 pc	800 pc
082 595	50 mm	50 pc	600 pc
082 599	63 mm	25 pc	300 pc

Further technical details

Details	
Closed	False
Tackable	True
Max. number of tubes	1
Type of fastening	Screw hole
With inlay	False
Material	PVC-U