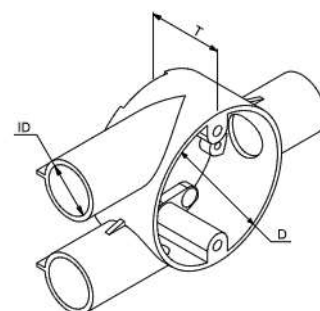


# Data sheet

ID	<b>CB 3-Y SW</b>
Description	distribution box
Properties	Circular box for surface installation with 2 mounting lugs, standard mounting screw spacing 50.8mm (2") for conduit diameters 20mm to 25mm, with brass inserts M 4, without lid
Colour	black, similar to RAL 9005



Working temperature	Degree of protection (IP)	UV-Level
-5 to +60 °C	IP3X	L1

Art. no.	Dimensions Ø/LxB x T	For tube diameter	Small Package	Large Package
009 052	65 x 32 mm	20 mm	20 pc	160 pc
009 054	65 x 32 mm	25 mm	20 pc	160 pc

## Further technical details

Details	
Halogen free	False
Tackable	False
Number of inlets	3
Type of housing feed-through	Pipe socket
Equipped with	None
Cover model	Mounting cover
Explosion-tested version	False
Weatherproof	False
Material	PVC-U

\*) L1: Indoor use - to avoid UV discoloration (no exposure to direct sunlight).

L2: Partially shaded: Outside, in areas with sun only for two to four hours a day, in shadowy places.

L3: Full sun: To be used also in areas with whole-day exposure to sunlight, e. g. roofs, antenna poles or PV panels.

Civil engineering and road construction products marked "L2" have to be laid in the shortest time possible to ensure color fastness and stability.